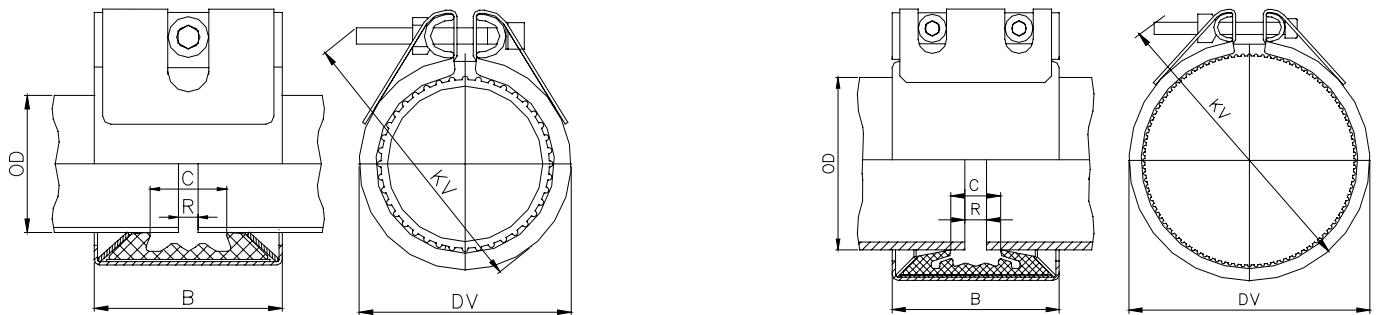


STRAUB-GRIP-L Ø 26.9 - 219.1 mm

Components / Materials	W1	W2	W4	W5
Casing				AISI 316 L / 316 TI
Bolts				A4 - 80
U-Bars				AISI 316 L / 316 TI
Anchoring rings				AISI 301
Strip insert (option)				AISI 316 L / PVDF
Sealing sleeve EPDM	Temp.: -20°C up to +100°C			
	Medium: all qualities of water, waste water, air, solids and chemical products			
Sealing sleeve NBR	Temp.: -20°C up to +80°C			
	Medium: water, gas, oil, fuel and other hydrocarbons			
Sealing sleeve H-NBR (on request)	Temp.: -20°C up to +125°C			
	Medium: water, gas, oil, fuel and other hydrocarbons			
Sealing sleeve FPM / FKM	Temp.: -20°C up to +180°C			
	Medium: ozone, oxygen, acids, gas, oil and fuel (only with strip insert)			



26.9 - 60.3 with single bolt

OD [mm]	Clamping range [mm]	PS [bar]	B [mm]	C [mm]	DV [mm]	KV [mm]	R without strip insert [mm]	R with strip insert [mm]	Torque rate [Nm]	Allen head [mm]	Thread M...
26.9	26.4 - 27.4	46.0	46	19	43	70	5	5	5	5	6
30.0	29.5 - 30.5	42.0	46	17	47	75	5	5	5	5	6
33.7	33.2 - 34.2	38.0	46	17	51	75	5	5	5	5	6
38.0	37.5 - 38.5	33.0	61	25	57	90	5	5-10	7.5	6	8
42.4	41.9 - 42.9	30.0	61	25	62	95	5	5-10	7.5	6	8
44.5	44.0 - 45.0	33.0	61	25	64	95	5	5-10	7.5	6	8
48.3	47.8 - 48.8	30.0	61	25	67	100	5	5-10	7.5	6	8
54.0	53.5 - 54.5	20.0	76	37	76	105	5-10	5-15	7.5	6	8
57.0	56.4 - 57.6	18.0	76	37	76	105	5-10	5-15	10	6	8
60.3	59.7 - 60.9	22.0	76	37	79	110	5-10	5-15	7.5	6	8
66.6	64.9 - 67.3	34.0	95	35	87	126	5-10	5-20	10	6	8
70.0	68.9 - 70.7	32.0	95	36	92	131	5-10	5-20	10	6	8
73.0	72.3 - 73.7	31.0	95	41	96	142	5-10	5-25	12	6	8
76.1	75.3 - 76.9	31.0	95	41	98	142	5-10	5-25	12	6	8
79.5	78.7 - 80.3	28.0	95	35	100	142	5-10	5-25	12	6	8
84.0	83.2 - 84.8	26.0	95	35	112	152	5-10	5-25	12	6	8
88.9	88.0 - 89.8	22.0	95	41	111	157	5-10	5-25	12	6	8
100.6	99.6 - 101.6	22.0	95	35	129	172	5-10	5-25	12	6	8
101.6	100.6 - 102.6	22.0	95	35	130	172	5-10	5-25	15	6	8
104.0	103.0 - 105.0	22.0	95	35	132	172	5-10	5-25	12	6	8
104.8	103.8 - 105.8	22.0	95	35	133	172	5-10	5-25	12	6	8
108.0	106.9 - 109.1	21.0	95	41	130	172	5-10	5-25	12	6	8
114.3	113.2 - 115.4	16.0	95	41	136	177	5-10	5-25	12	6	8
127.0	125.7 - 128.3	19.0	110	54	151	195	5-10	5-30	20	8	10
129.0	127.7 - 130.3	19.0	110	54	153	195	5-10	5-30	20	8	10
130.2	128.9 - 131.5	19.0	110	54	154	200	5-10	5-30	20	8	10
133.0	131.7 - 134.3	19.0	110	54	157	200	5-10	5-30	20	8	10
139.7	138.3 - 141.1	16.0	110	54	164	210	5-10	5-30	20	8	10
141.3	139.9 - 142.7	16.0	110	54	166	210	5-10	5-30	20	8	10
154.0	152.5 - 155.5	16.0	110	48	184	225	5-10	5-30	20	8	10
159.0	157.4 - 160.6	16.0	110	54	183	225	5-10	5-30	20	8	10
168.3	166.6 - 170.0	16.0	110	54	192	230	5-10	5-30	20	8	10
219.1	216.9 - 221.3	16.0	142	80	250	295	5-10	5-30	60	10	12

Remarks:

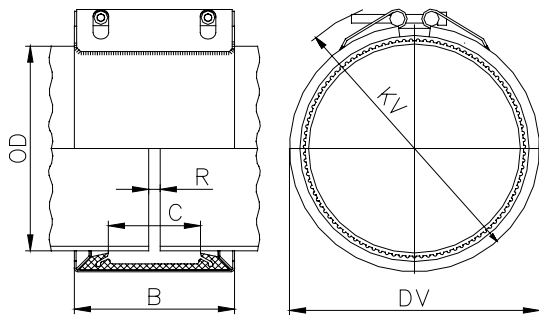
- Follow fitting / disassembly instructions
- PS = Working pressure considering the application loads
Test pressure = PS x 1.5 (for example industry, water supply etc.)
- The pressure values are valid on radial rigid carbon steel pipes under static loads
- For minimum wall-thickness of pipe, see technical manual
- Strip inserts are required for special applications

For IPS sizes in bold see technical manual for actual OD

Typing errors may occur. Technical details are subject to change

STRAUB-GRIP-L Ø 180.0 - 609.6 mm

Components / Materials	W1	W2	W4	W5
Casing		AISI 316 L / 316 TI		AISI 316 L / 316 TI
Bolts		AISI 4135		A4 - 80
Bars		AISI 12 L 14, galvanised		AISI 316 L
Anchoring rings		AISI 301		AISI 301
Strip insert (option)		AISI 316 L / HDPE		AISI 316 L / HDPE
Sealing sleeve EPDM	Temp.: -20°C up to +100°C Medium: all qualities of water, waste water, air, solids and chemical products			
Sealing sleeve NBR	Temp.: -20°C up to +80°C Medium: water, gas, oil, fuel and other hydrocarbons			
Sealing sleeve FPM / FKM	Temp.: -20°C up to +180°C Medium: ozone, oxygen, acids, gas, oil and fuel (only with strip insert)			



OD [mm]	Clamping range [mm]	PS [bar]	B [mm]	C [mm]	DV [mm]	KV [mm]	R without strip insert [mm]	R with strip insert [mm]	Torque rate [Nm]	Allen head [mm]	Thread M...
180.0	178.0 - 182.0	16.0	141	80	205	255	5-10	5-35	50	10	12
193.7	192.0 - 195.5	16.0	141	80	224	270	5-10	5-35	50	10	12
200.0	198.0 - 202.0	15.0	141	80	230	275	5-10	5-35	50	10	12
204.0	202.0 - 206.0	14.0	141	80	234	280	5-10	5-35	50	10	12
206.0	204.0 - 208.0	14.0	141	80	234	280	5-10	5-35	50	10	12
244.5	242.0 - 247.0	9.0	141	80	275	320	5-10	5-35	50	10	12
250.0	247.5 - 252.5	9.0	141	80	280	325	5-10	5-35	50	10	12
254.0	251.5 - 256.5	9.0	141	80	284	325	5-10	5-35	50	10	12
256.0	253.5 - 258.5	9.0	141	80	284	325	5-10	5-35	50	10	12
267.0	264.5 - 269.5	8.0	141	80	297	340	5-10	5-35	50	10	12
273.0	270.5 - 275.5	7.0	141	80	303	345	5-10	5-35	60	10	12
304.0	301.0 - 307.0	6.0	141	80	334	375	5-10	5-35	60	10	12
306.0	303.0 - 309.0	6.0	141	80	334	375	5-10	5-35	60	10	12
323.9	320.5 - 327.0	5.0	141	80	354	395	5-10	5-35	60	10	12
355.6	352.0 - 359.0	4.0	141	80	386	425	5-10	5-35	60	10	12
406.4	402.5 - 410.5	3.0	141	80	436	470	5-10	5-35	60	10	12
457.2	452.5 - 461.5	2.0	141	80	487	520	5-10	5-35	60	10	12
508.0	503.5 - 512.5	2.0	141	80	538	570	5-10	5-35	60	10	12
558.8	554.5 - 563.5	2.0	141	80	589	620	5-10	5-35	60	10	12
609.6	605.5 - 614.0	1.0	141	80	640	670	5-10	5-35	60	10	12

STRAUB produces custom made couplings from 180.0 up to 609.6 mm

Remarks:

- Follow fitting / disassembly instructions
- PS = Working pressure considering the application loads
Test pressure = PS x 1.5 (for example industry, water supply etc.)
- The pressure values are valid on radial rigid carbon steel pipes under static loads
- For minimum wall-thickness of pipe, see technical manual
- Strip inserts are required for special applications

For IPS sizes in bold see technical manual for actual OD