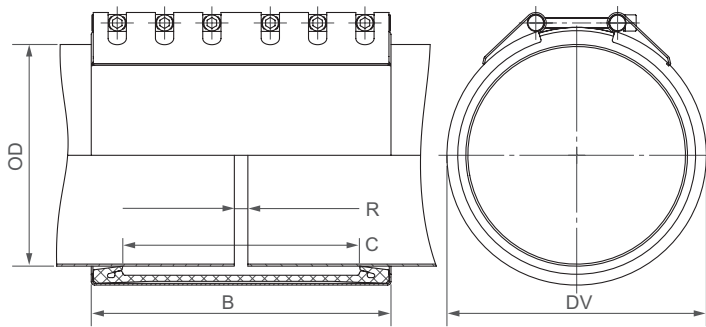


# STRAUB-FLEX 4 | $\varnothing$ 323.9 - 812.8 mm

Components / Materials	W1	W2	W4	W5
Casing	S355MC, hot-dip galvanised			AISI 316 L or similar
Bolts	AISI 4135			A4 - 80
Bars	AISI 12L14, galvanised			AISI 316 L or similar
Strip insert	AISI 301 / HDPE			AISI 316 L or similar / HDPE

**Sealing sleeve EPDM**  
 Temp.: -20°C up to +100°C  
 Medium: all qualities of water, waste water, air, solids and chemical products



B  $\Rightarrow$  443 up to 444 mm  
 DV  $\Rightarrow$  OD + 48 mm  
 C  $\Rightarrow$  350 mm  
 R with strip insert  $\Rightarrow$  200 mm  
 R without strip insert  $\Rightarrow$  20 mm

W1 or W5	W1 or W5
only in W5 available	only in W5 available



OD [mm]	Clamping range [mm]	PN					
		2.5	6	10	16	20	25
323.9	320 - 327						
355.6	352 - 359						
406.4	403 - 409						
457.2	454 - 460						
508.0	505 - 512						
558.8	555 - 562						
609.6	606 - 613						
655.0	652 - 658						
711.2	707 - 715						
762.0	758 - 766						
812.8	809 - 817						

**CONTINUOUSLY VARIABLE INTERMEDIATE SIZES FROM 323.9 TO 812.8 mm ARE AVAILABLE**

## Remarks:

- Follow fitting instructions
- PN = working pressure considering the application loads  
 Test pressure = PN x 1.5 (for example industry, water supply etc.)  
 Burst pressure = approx. PN x 2
- Strip inserts included
- Additional sealing sleeves, pressure and temperature ranges on request

[⇨ Bigger diameters are available as STRAUB-OPEN-FLEX](#)